

Embedded in-ground flagpoles are 20% stronger than shoe bases. The ground sleeve is a galvanized 16 gauge tube with a base plate & lighting spike.

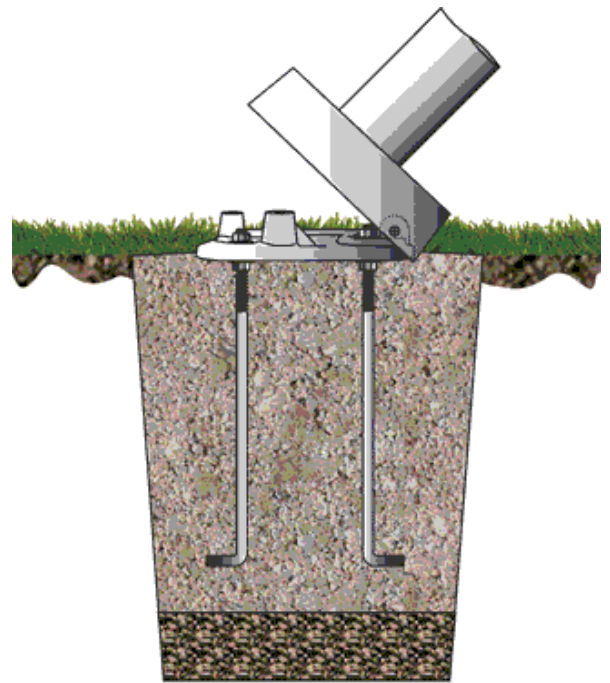
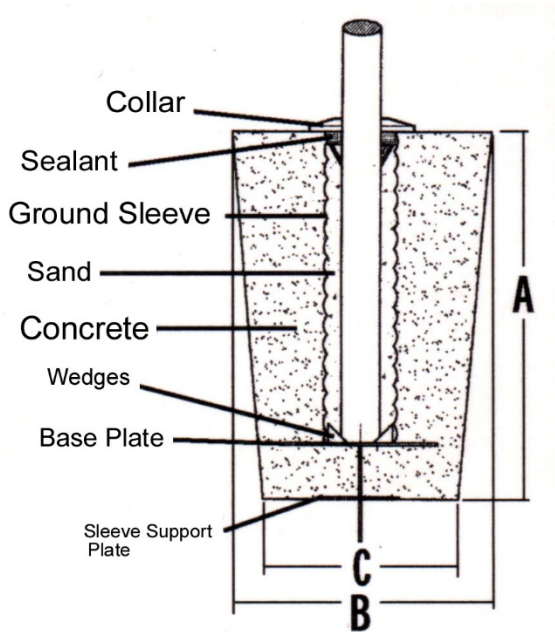
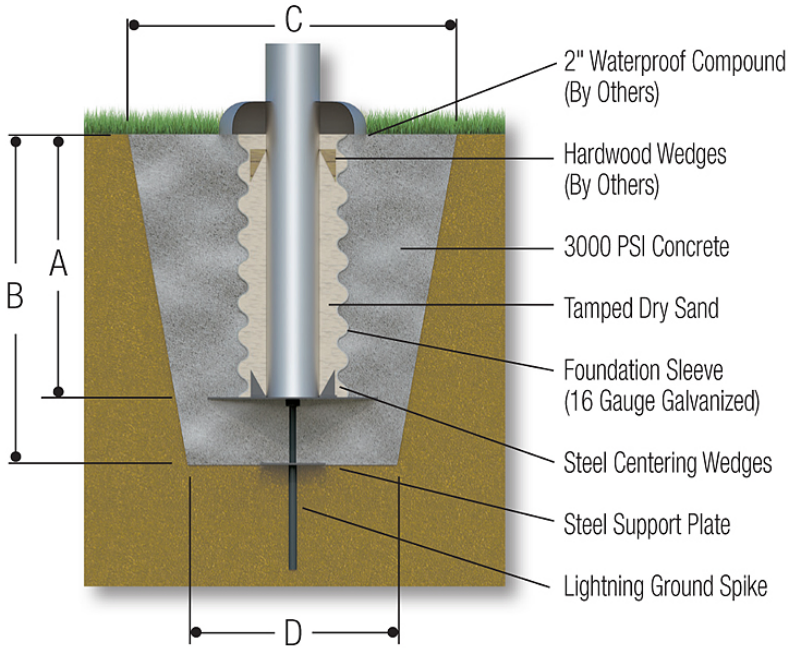
Shoe Base requires a lift truck to place the flagpole on assembly. If the anchor bolt is not level, additional leveling can occur at the shoe.

Tilt Shoe Base has two purposes (1) effortless installation, flagpole can be raised and lowered by hand without a lift truck. (2) maintenance and decorating the pole for events is made easy. Tilt pins are stainless steel and sized per flagpole. Extra leveling can occur at the shoe.

Purchased in combination with a commercial aluminum flagpole, our cast aluminum flagpole shoe and tilt bases are delivered professionally welded to the flagpole. The flagpole will be fully installation-ready with no additional welding required.

When mounting a flagpole to a flat surface, the surface must be strong enough to withstand the significant forces exerted by the flagpole during windy conditions. We recommend consulting an engineer before purchase to verify that your proposed mounting surface is strong enough to withstand these forces.

WARNING: We do not recommend purchasing shoe bases individually unless you or a contractor that you are hiring is experienced in welding aluminum. Improper installation could result in personal injury, death or significant damage to property and buildings.



WARNING: We do not recommend purchasing shoe bases individually unless you or a contractor that you are hiring is experienced in welding aluminum. Improper installation could result in personal injury, death or significant damage to property and buildings.